

DEKOR® NOSEEM LED Lighting strips are one of the most versatile lights on the market and can be used in any area you can possibly dream up. They are available in six colors and three different sizes for your liking. The housing has a taller side to hide the LEDs from line of sight during the day and present a brilliant light output at night.

NOSEEM Light Options



» 20", 5', 10', 20', 40', and 60' male to male connection/ extension wires sold separately.

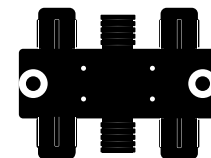
NOTE: All wiring and splitters are mounted to inside of framing.

NOTE: Avoid railing brackets and locations for deck rail lights when running wires up posts.

NOTE: It is recommended to install wiring and splitters before decking and railing have been installed.

DO NOT run wires between joists and deck boards.

Splitter Options



EZPNP 6-Port



EZPNP Female
to Female



EZPNP
T-Splitter

TOOLS NEEDED



1/2" Drill Bit
12.70mm

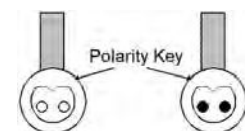


HELPFUL TIPS

- » Follow the appropriate building and electrical codes when installing all DEKOR® lighting products.
- » Leave wire slack to make fixture terminations.
- » NOSEEM LED lights can be used for daisy chaining or separating to many other locations.
- » It is recommended to determine placement of lighting under dark conditions prior to drilling/installation.
- » Carefully drive in the provide screws to mounting bar or use the adhesive tape on smooth surfaces.
- » Unused connections need to be capped. Use the provided caps or dielectric grease to prevent corrosion or water damage.

- » DO NOT use more than one transformer on each circuit.
- » To ensure all components are in working condition it is recommended to have power source attached when installing lights.

CAUTION:



When making a connection between a Plug-N-play connector or splitter, observe the polarity key to make the proper connection. The male and female connectors have a flat side with a V-notch that **MUST MATCH UP**. Do not force the connectors together. The Plug-NPlay connectors are waterproof and they seal with an O-ring and a locking collar.

General Information

- » ALWAYS check local codes before beginning your project. USE DEKOR® TRANSFORMERS for the Limited Lifetime warranty. Using any other type of transformer the lights will have a 3-year warranty.

TRANSFORMER CAPACITY BY TYPE		
Example	5A Transformer EZ Max Transformer	2.5A Transformer EZ Transformer
Large	17	10
Medium	22	15
Small	44	26

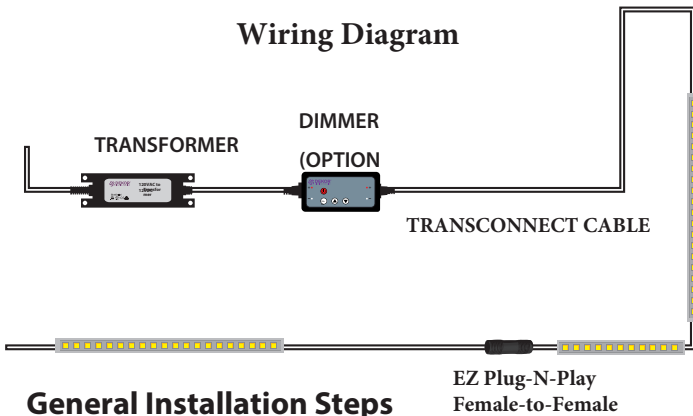
The list above is for maximum number of each individual types of lights. If mixing and matching lighting reference the transformer calculator at www.dekorlighting.com.

Stair Lighting Example

1. Determine location of the first NOSEEEEM LED light strip.
2. Attach to the under side of step by using either the adhesive tape or the small mounting screws (both are included).
3. Slide the NOSEEEEM LED light strip into mounting bar.



Wiring Diagram



General Installation Steps

1. Determine location on first NOSEEEEM LED Light Strip. Measure to make sure the full base housing will fit.
2. Mark location of screw holes.
3. Pre drill screw holes with 1/16" dia. drill bit.
4. Mounting bar can be attached using included industrial strength adhesive strip only, or it can be mounted using mounting screws.
5. Slide NOSEEEEM LED Light Strip into mounting bar.
6. Secure NOSEEEEM LED Light Strip into Mounting Bar with small sections leaving the pigtails end past the housing. Repeat steps with each additional sections.
7. Connect first light strip to transformer using the transconnect cable. Then connect each NOSEEEEM Light Strip to each other, or with a PLUG-N-PLAY cable.

Cap Stone or Brick Lighting Example

1. Determine location of the first NOSEEEEM LED light strip.
2. Attach to the under side of cap stone or brick by applying a bead of outdoor adhesive to back side of mounting bar (outdoor adhesive is not included).
3. Slide the NOSEEEEM LED light strip into mounting bar.

