

DEKOR® NOSEEEM Light Strip Installation Instructions

General Information

- » ALWAYS check local codes before beginning your project. USE DEKOR® TRANSFORMERS for the Limited Lifetime warranty. Using any other type of transformer the lights will have a 3-year warranty.

TRANSFORMER CAPACITY BY TYPE		
Example	5A Transformer EZ Max Transformer	2.5A Transformer EZ Transformer
Large	17	10
Medium	22	15
Small	44	26

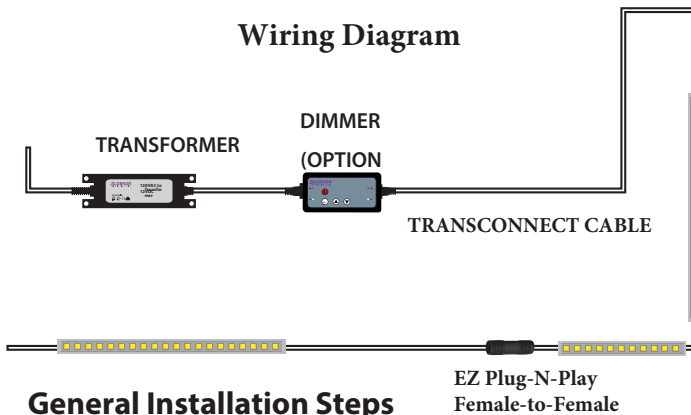
The list above is for maximum number of each individual types of lights. If mixing and matching lighting reference the transformer calculator at www.dekorlighting.com.

Stair Lighting Example

1. Determine location of the first NOSEEEM LED light strip.
2. Attach to the under side of step by using either the adhesive tape or the small mounting screws (both are included).
3. Slide the NOSEEEM LED light strip into mounting bar.



Wiring Diagram



General Installation Steps

1. Determine location on first NOSEEEM LED Light Strip. Measure to make sure the full base housing will fit.
2. Mark location of screw holes.
3. Pre drill screw holes with 1/16" dia. drill bit.
4. Mounting bar can be attached using included industrial strength adhesive strip only, or it can be mounted using mounting screws.
5. Slide NOSEEEM LED Light Strip into mounting bar.
6. Secure NOSEEEM LED Light Strip into Mounting Bar with small sections leaving the pigtails end past the housing. Repeat steps with each additional sections.
7. Connect first light strip to transformer using the transconnect cable. Then connect each NOSEEEM Light Strip to each other, or with a PLUG-N-PLAY cable.

Cap Stone or Brick Lighting Example

1. Determine location of the first NOSEEEM LED light strip.
2. Attach to the under side of cap stone or brick by applying a bead of outdoor adhesive to back side of mounting bar (outdoor adhesive is not included).
3. Slide the NOSEEEM LED light strip into mounting bar.

